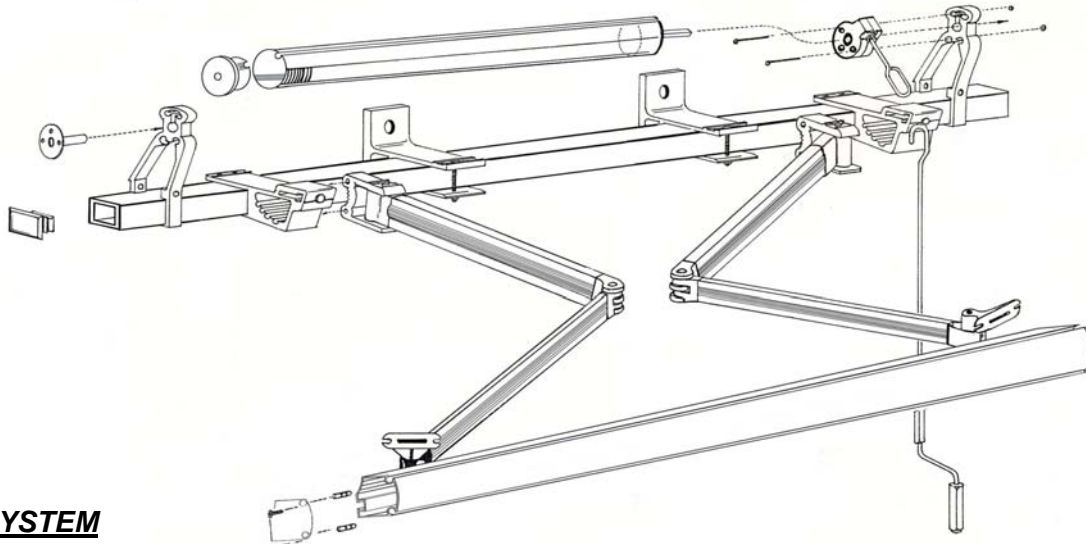




RETRACTABLE AWNING SYSTEM SPECIFICATIONS



AWNING SYSTEM

- Arms and bracket are produced from Structural Aluminum alloy Al Mg Si 1 and protected against oxidation by anodisation or oven-baked powder coated.
- Elbows and wrist of the arms are die casts from high tensile strength alloy LM6 (BS1490/Din/230/AS13).
- Arms tension created by two galvanize traction springs from 2.5m to 3.5m arms and a single for 1.5m to 2m arms.
- Independent adjustment of arm with slope adjustment from 10-85 degree (Vertical reference).
- High tech Design coupled with special alloys used to produce the arms ensures that even if arms are forced broken, they do not dislocate and drop off from the main frame, thus preventing damage to property and injury to human below the awning.

Visit us at www.mnjss.com to see the Arm's strength

IMPORTANT NOTES

- 1) Our system mounting is via a Square Tube (Aluminium) and not a direct mounting system.
- 2) All components are of Structural Aluminium Alloy including the Square tube & Roller tube.
- 3) The entire system (except for the roller tube, which will be covered by the fabric) are WHITE POWDER COATED which give the system excellent ecstastic appeal compared to natural anodised systems.
- 4) Stainless Steel , Brass & premium Grease are used to enhance the system from noise & looks.
- 4) As stated in our website www.mnjss.com we take pride to announce that **our arms are probably the only ones in the WORLD**, which even if forced to break **WILL NOT DROP OF THE MOUNTING POINT** thus reducing the possibility of damage to property & risk to humans who might be under the awning. No other brand of awning whether available locally or overseas has this **BUILT-IN SAFETY FEATURE (BISF)**.

TEST DONE ON OUR AWNING:

- 1) 5 years child sitting on a retractable awning (size 6m x 3m – 2arms)
- 2) 2 adults child sitting on a retractable awning (size 6m x 3m – 2arms)
- 3) 1 adult drinking coffee on a retractable awning (size 6m x 3m – 2arms)
- 4) 1 lady child sitting on a retractable awning (size 6m x 3m – 2arms)
- 5) 1 adult walking on a retractable awning (size 6m x 3m – 2arms)
- 6) 1 adult hanging on a 1.5m arm.
- 7) Weight test on our 3.0m arm = 120kg

Call to view video clips / photos on the above test.